

Before you get started...

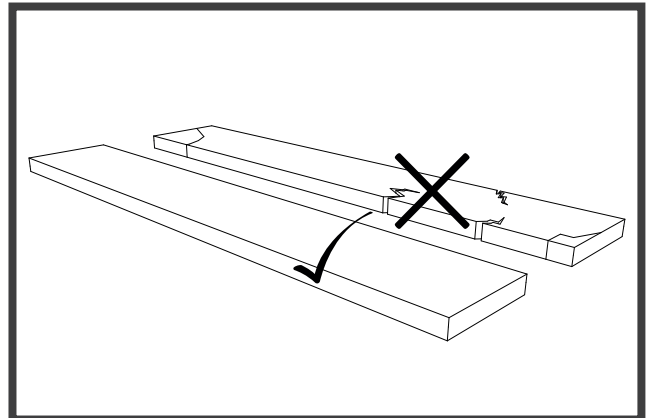
## Equipment You Will Need:

- Tape measure
- Spirit level
- Pencil
- Workbench or sawhorse
- Combination square
- Spacers
- Tapping block
- Pull bar
- Rubber mallet
- Handsaw or electric saw
- Drill (for covering pipework)
- Moisture meter
- Beading or skirting boards
- Safety precautions i.e. knee pads, safety goggles, dust masks, ear defenders

## 1. Check The Packs

We would advise checking each pack to ensure you are happy with the product before proceeding with installation.

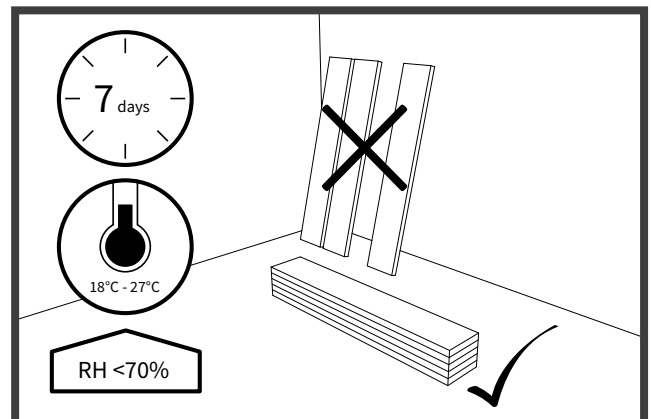
Due to the nature of wooden flooring each plank has its own unique natural variation, when laying your floor you can make the most of this contrast and design the perfect flooring for your home!



## 2. Allow Packs To Acclimatise

You should allow your solid wood to acclimatise outside of the pack for 5-7 Days.

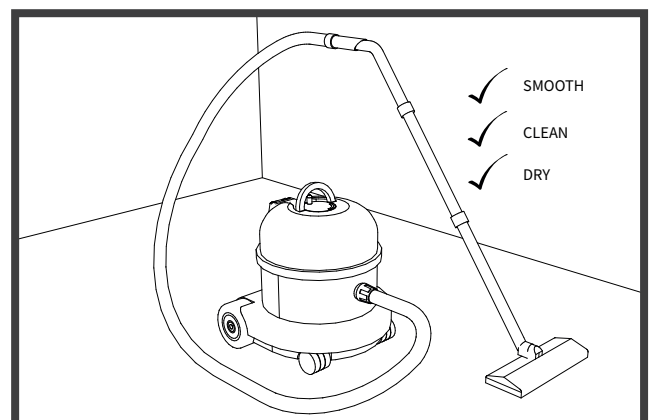
Try to ensure the room stays at the same temperature you'd usually have it at so between 18 and 27°C and don't allow the floors to be exposed to the elements. If you're using underfloor heating, you'll need to gradually increase the temperature to get the wood used to the heat. We would strongly advise that you refer to the advice given by your heating supplier on how to do this.



## 3. Prepare The Subfloor

In preparation of your new flooring you will need to remove your existing floor and ensure that the subfloor is clean and free of any debris.

If you have a concrete subfloor, make sure it's completely dry before installation. A damp-proof membrane should be installed on top of the subfloor to reduce the risk of moisture reaching the solid wood boards.



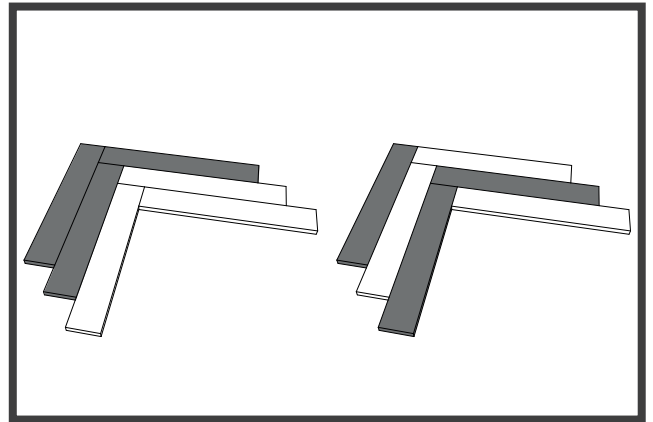
Before you get started...

## 4. Plan The Look

### Before beginning to lay your new floor.

Take the blocks from each pack and look at the natural grains and deviations in shade. Select your favourites and use these blocks as a focal point, whilst ensuring to mix and match shades and patterns around these so that you can get the desired look in your rooms. Should there be any blocks you don't love as much as others, these would be the perfect choice for cuts, or in areas that will be covered by furniture or rugs.

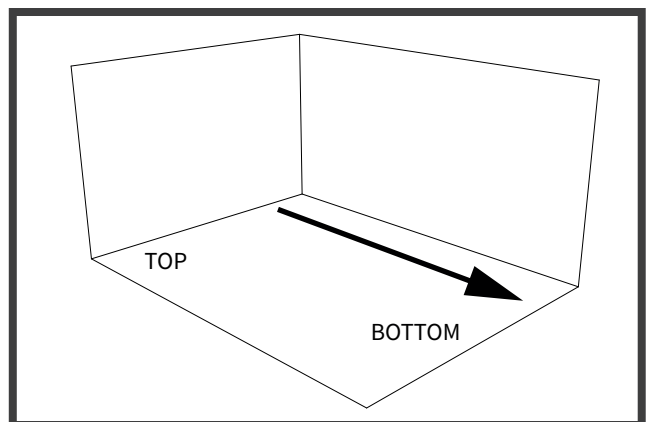
Consider the direction you would like your boards to lie. As a general rule of thumb, start your installation from the longest wall for the best look. If the room is square, you may want to consider the room's light flow, or follow on from the entrance.



## 5. Installation Tips

### It's best to fit your floor as the last thing you do in a renovation project.

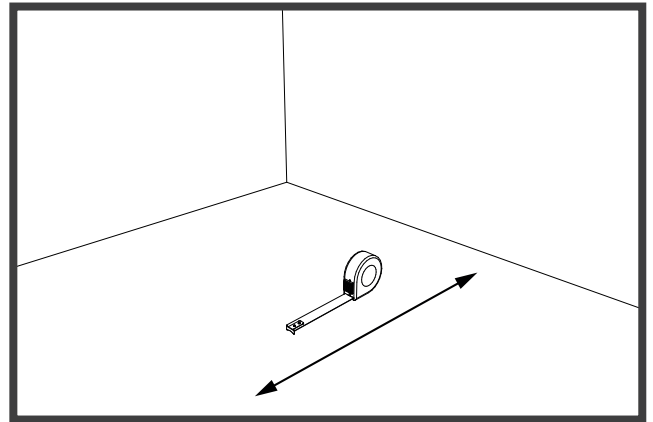
To reduce the risk of damaging your new flooring we would strongly advise installing your floor as the last step in your renovation, work your way from the top of the room to the bottom. Always fit the floor after units have been installed, this will make sure the floor does not buckle under the weight of the units.



## Herringbone Installation Guide - Gluing Method

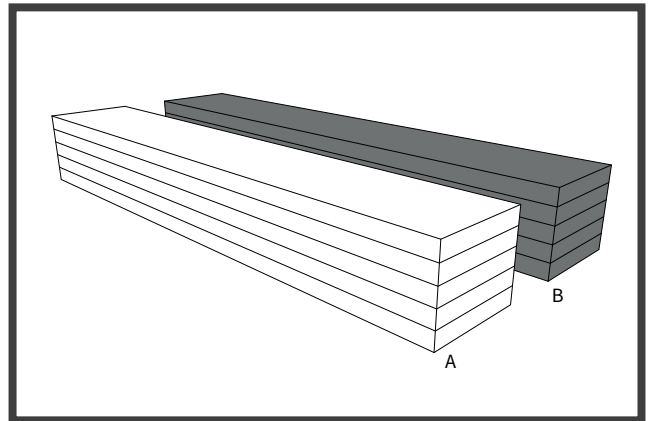
### Step 1.

Before you begin and lay the boards, you will need to measure the longest wall in the room and divide the length by two to find the centerline. Chalk can be used to create a line to mark this out for you. The first strip of planks you install will be aligned to this centerline.



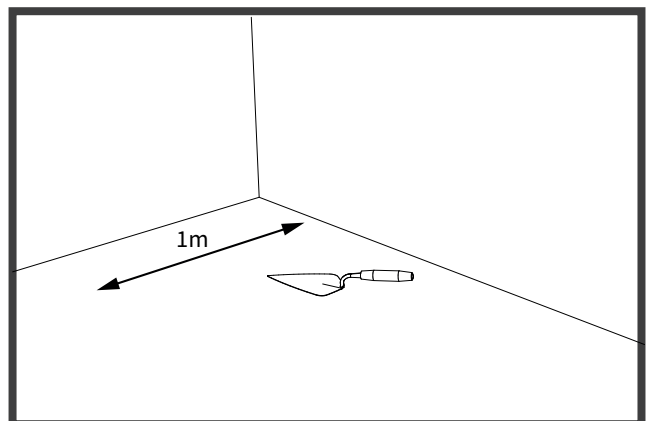
### Step 2.

Separate the A and B planks into two piles for ease. One strip of planks refers to an A and a B plank connected together.



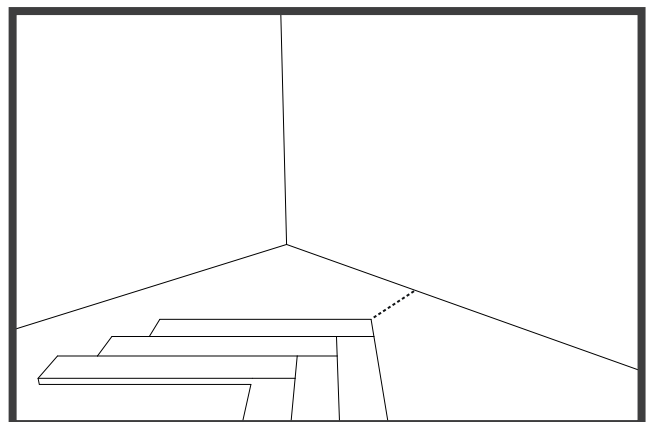
### Step 3.

Measure 1 metre out from the longest wall and apply the adhesive with a trowel before laying your first row. Always follow the adhesive instructions as failure to do this could void your warranty. We would recommend fitting your solid wood herringbone flooring over the course of two days as walking over the newly laid floor can cause movement.



### Step 4.

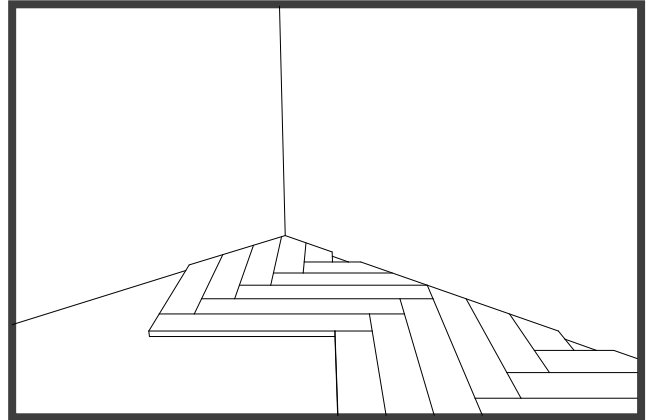
Align the blocks so that the highest point of the entire strip is on the centerline. The pattern may look as though it is slightly to the right of the centerline, however this will look more professional once you've added further strips.



## Herringbone Installation Guide - Gluing Method

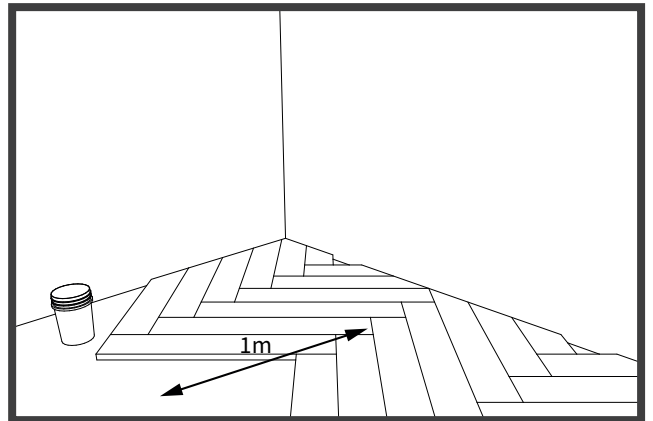
### Step 5.

Once the first strip has set, you can use this as a guide for the remaining strips. Make sure to check all measurements before continuing to fill out the remaining space.



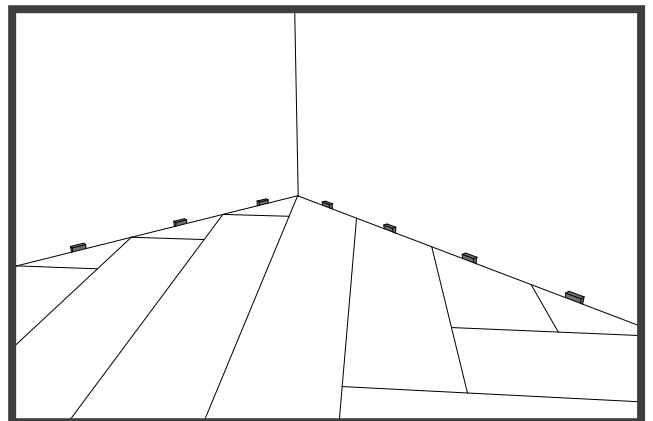
### Step 6.

Begin laying the blocks in your chosen herringbone pattern, placing approximately 1 metre of adhesive ahead of the previous row. Each block can be glued or nailed individually to the sub-floor.



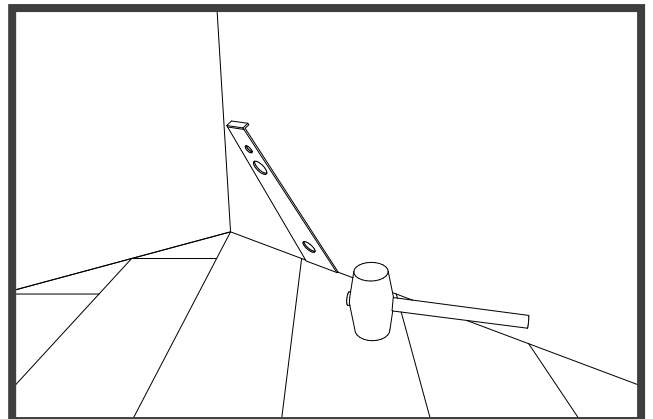
### Step 7.

Measure and cut the blocks to fill in the pattern around the edges and fit these as you go. Make sure to leave an expansion gap at the walls using spacers to account for any minor movement and expansion after installation. If you are placing smaller pieces around the edges of the room then a little glue can help secure these in place.



### Step 8.

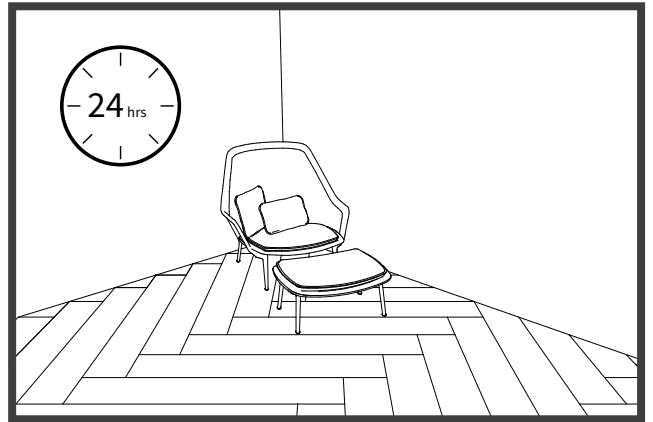
The last row of flooring may be slightly tricky to install, but a pull bar and rubber mallet can help to create a tight and secure fit.



## Herringbone Installation Guide - Gluing Method

### Step 9.

Leave your finished floor for 24 hours before moving furniture back into the room or walking on it.



## FINISHING TOUCHES

- If you are fitting your new wood flooring around pipes, first mark the position of the pipe in the board with a pencil. Then carefully drill a hole in this position and make two angled cuts with a saw. These cuts should form a wedge from the edge of the board to the hole which can then be removed. Fit the board around the pipe and then reattach the wedge with a small amount of glue behind the pipe so the plank looks intact.
- You can use matching scotia beading and doorbars to cover any expansion gaps and blend your new floor in with your existing walls and joining rooms, creating a professional and seamless finish.
- If possible we would always advise keeping any spare planks or cuttings in case any repairs are needed to be made in the future.
- If the expansion gap has been left too large and the skirting board or scotia doesn't cover it, you can use spare floorboards to cut strips using a hand saw and glue these strips into place.

## DISCOVER THOSE PERFECT FINISHING TOUCHES...



Pipe Covers



Profiles



Skirting Boards



Scotia Beading